
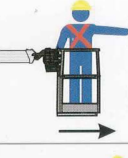
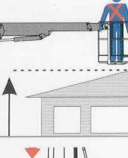
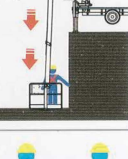

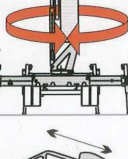
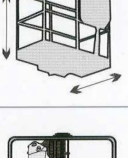
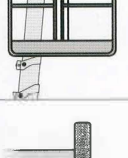

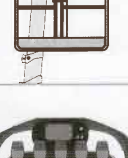


	30,20 m
	28,20 m
	15,50 m
	16,00 m
	-7,00 m
	225 kg
	360°
	1,8x0,8x1,1
	ALUMINIUM
	H + H
	90°+90°
	ELECTRONIC
	6,0 T

