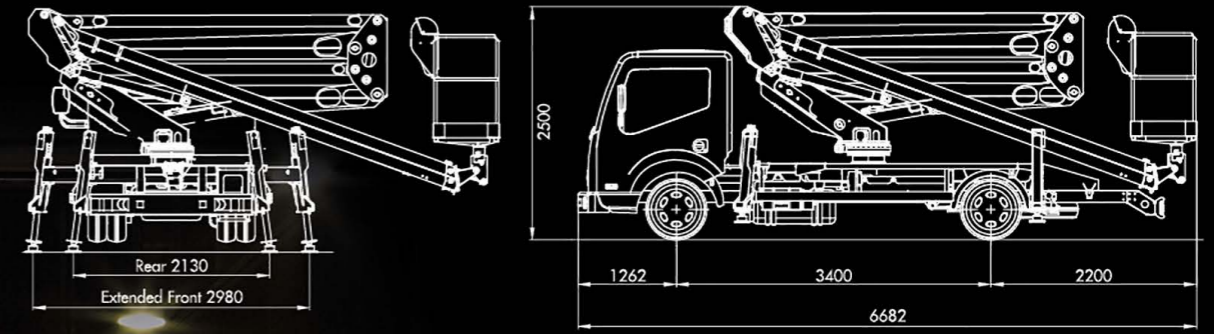


PNT 205NH

Truck-mounted aerial lift work platform
Piattaforma per lavoro aereo autocarrata

Overall dimensions (millimeters)



Working diagram (meters)



Specifications

- 230 kg**
- 9,10 m**
- 20 m**
- 18 m**
- 1400 x 710 x 1100 mm**
- + / - 90°**
- HE + H**
- Electro - hydraulic**
- Alluminium**
- 550°**